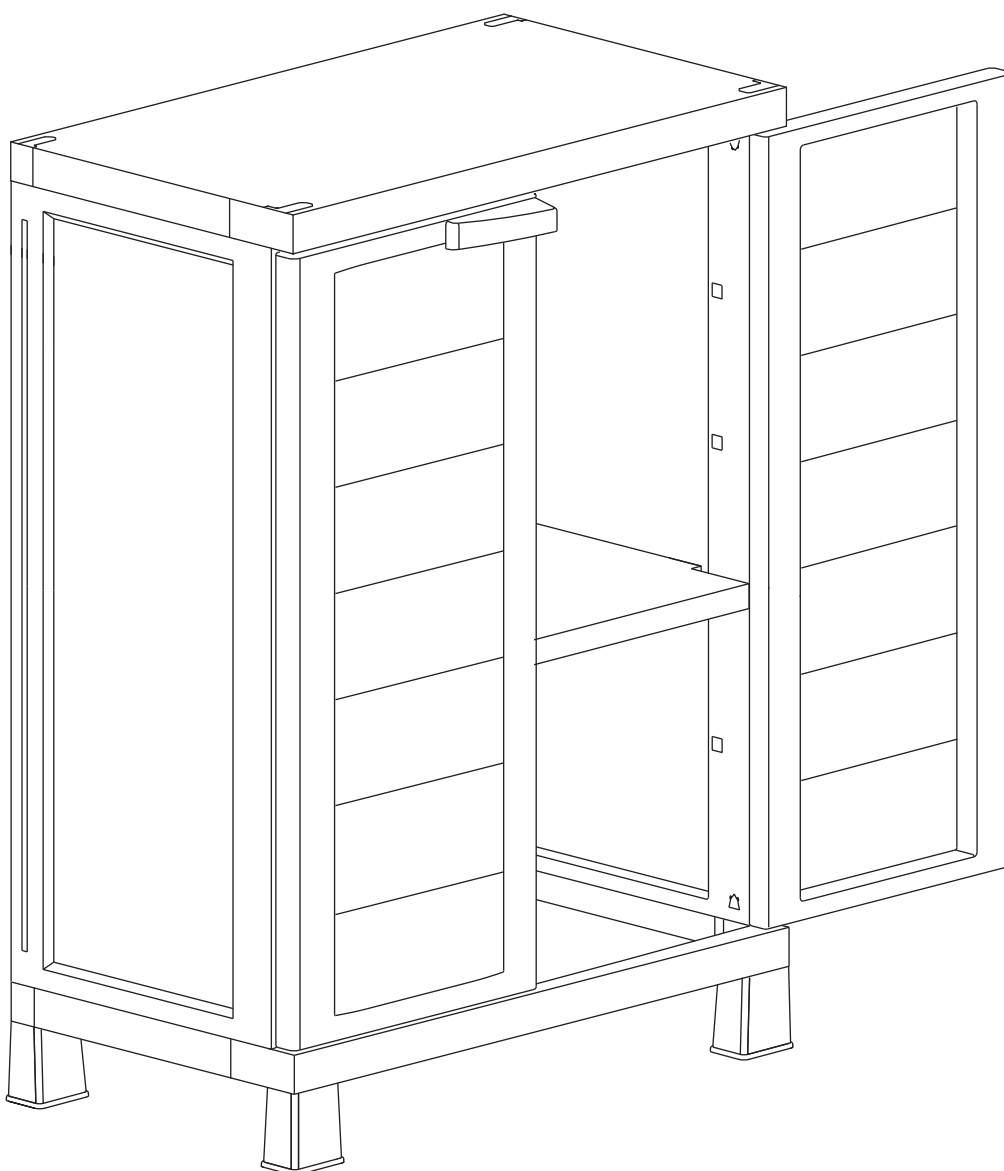


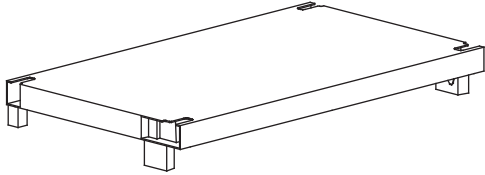
# AMBITION MIDI



**Art. 204** cm 65x37x93h | in 26x15x37h

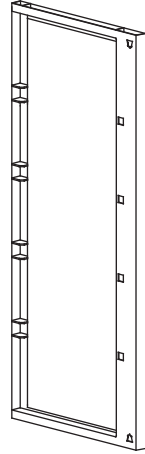


**A**



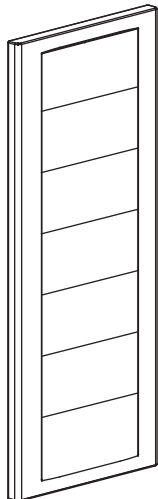
**PZ / PCS 2**

**B**



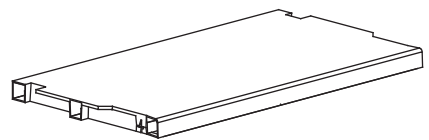
**PZ / PCS 2**

**C**



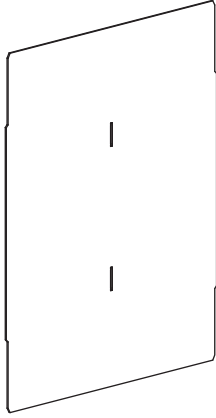
**PZ / PCS 2**

**D**



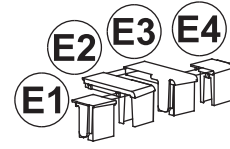
**PZ / PCS 1**

00



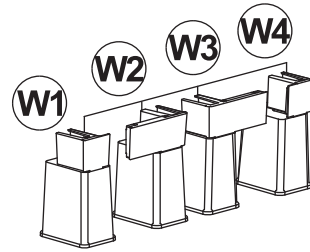
PZ / PCS 1

E



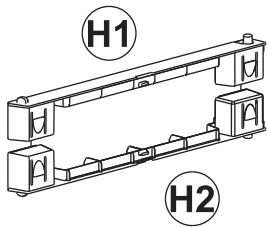
PZ / PCS 1

W



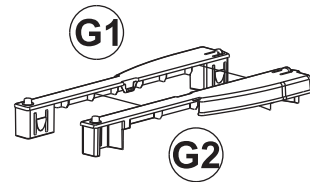
PZ / PCS 1

H



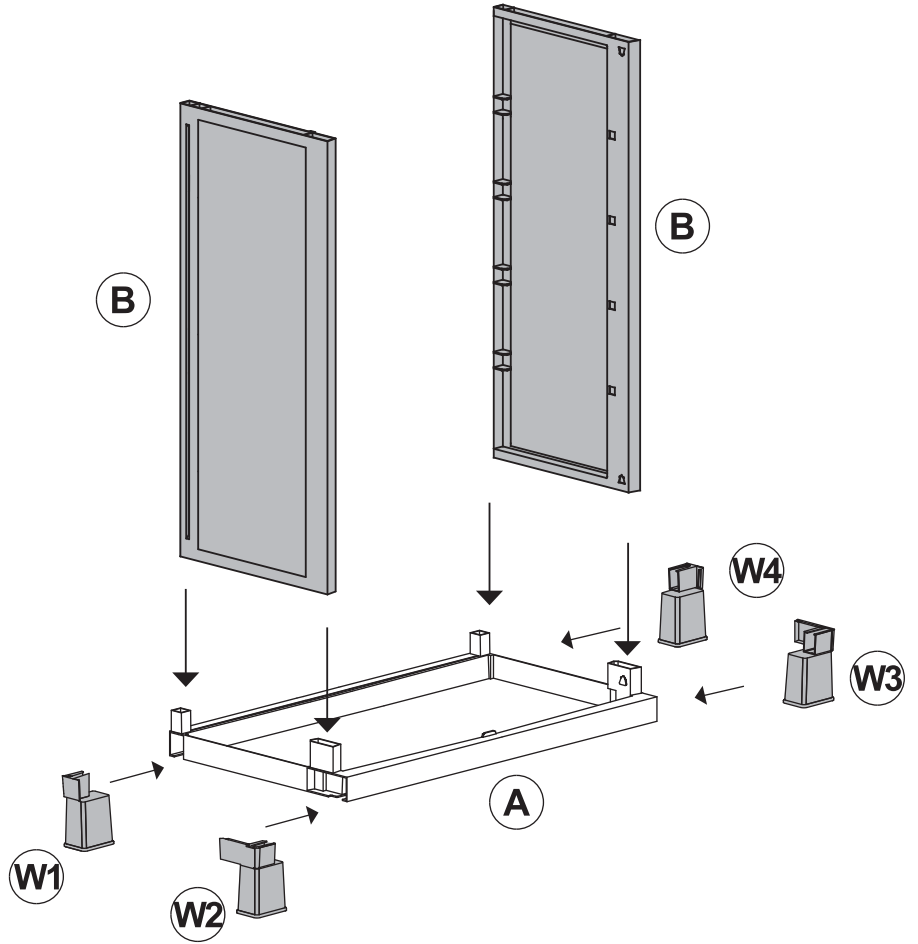
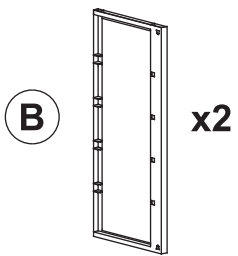
PZ / PCS 1

G

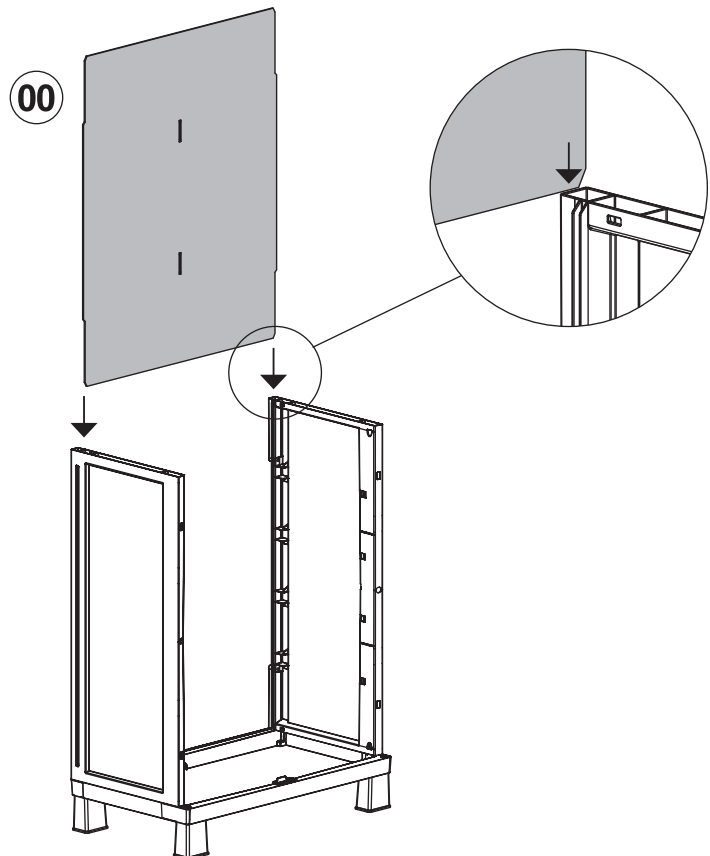
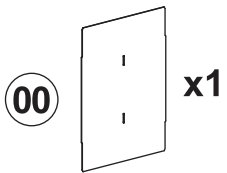


PZ / PCS 1

1

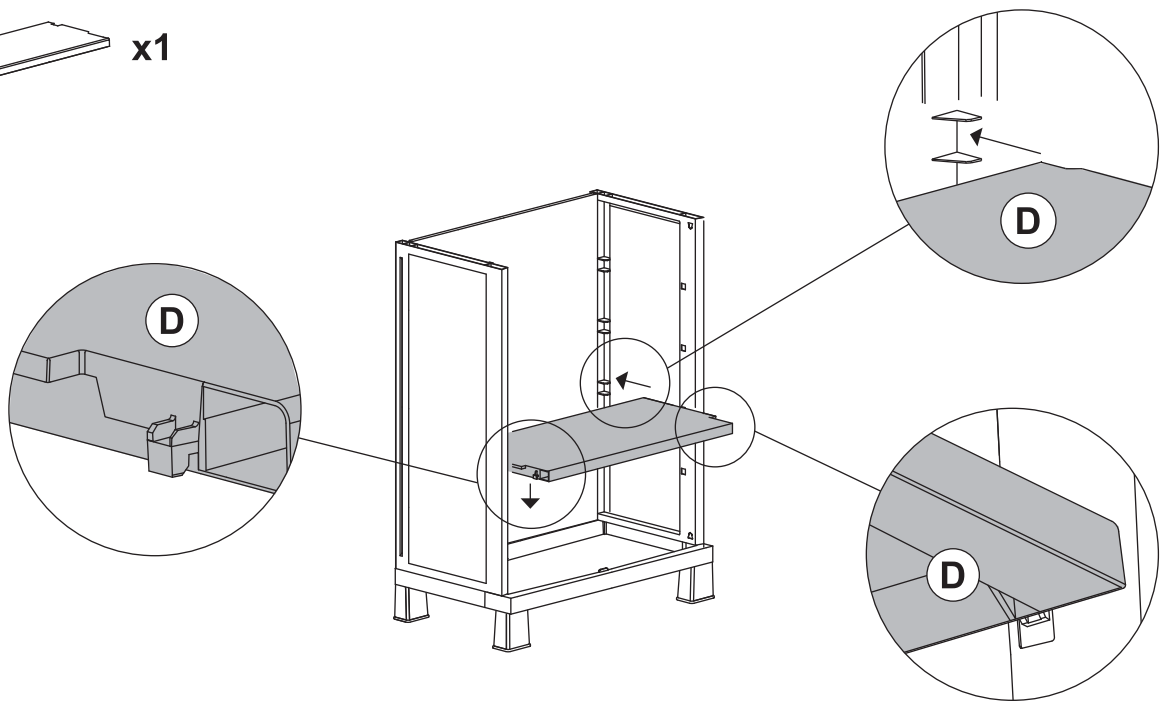


2



3

D x1



4

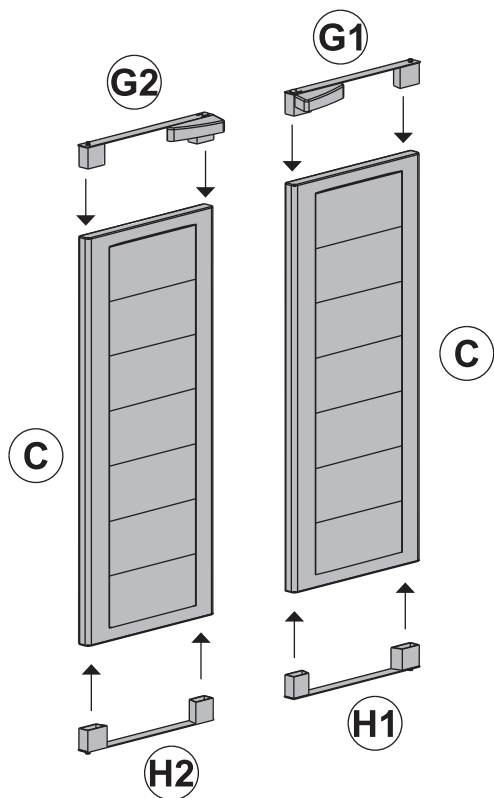
C x2

H1 x1

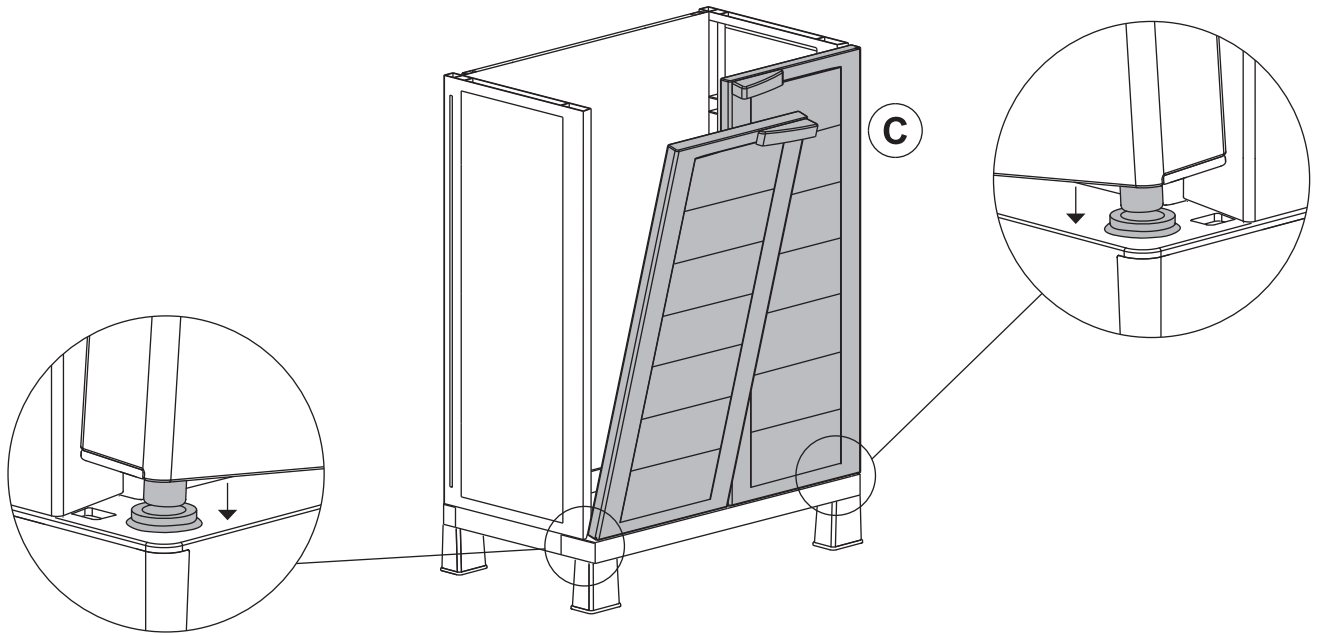
H2

G1 x1

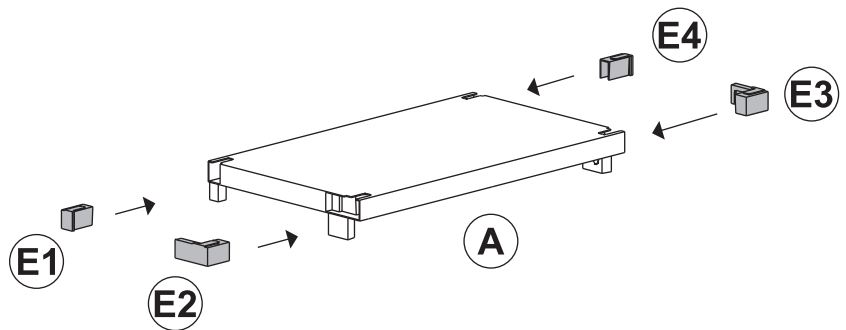
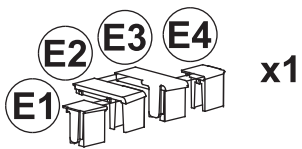
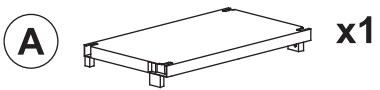
G2



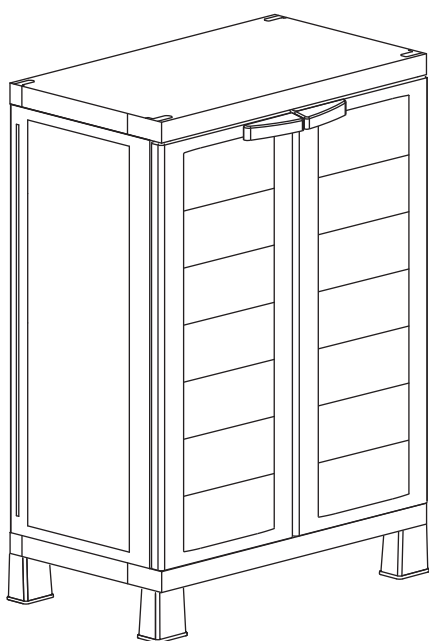
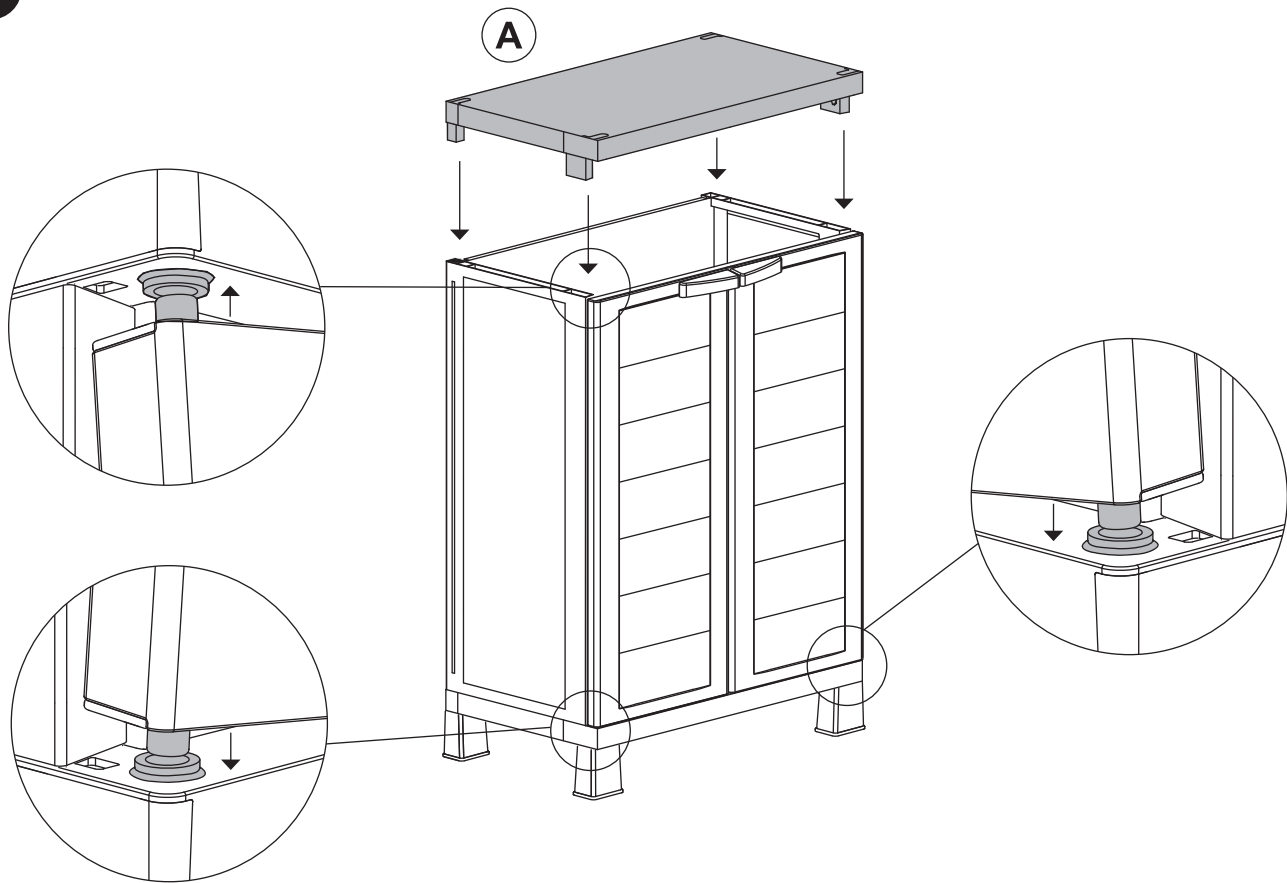
5



6



7





**Plastmeccanica S.p.A.**

Viale del Lavoro, 3

60030 Castelbellino (An) - ITALY

Tel. +39 0731 70766 - Fax +39 0731 703796

[info@plastmeccanica.it](mailto:info@plastmeccanica.it)



[www.toomax.it](http://www.toomax.it)