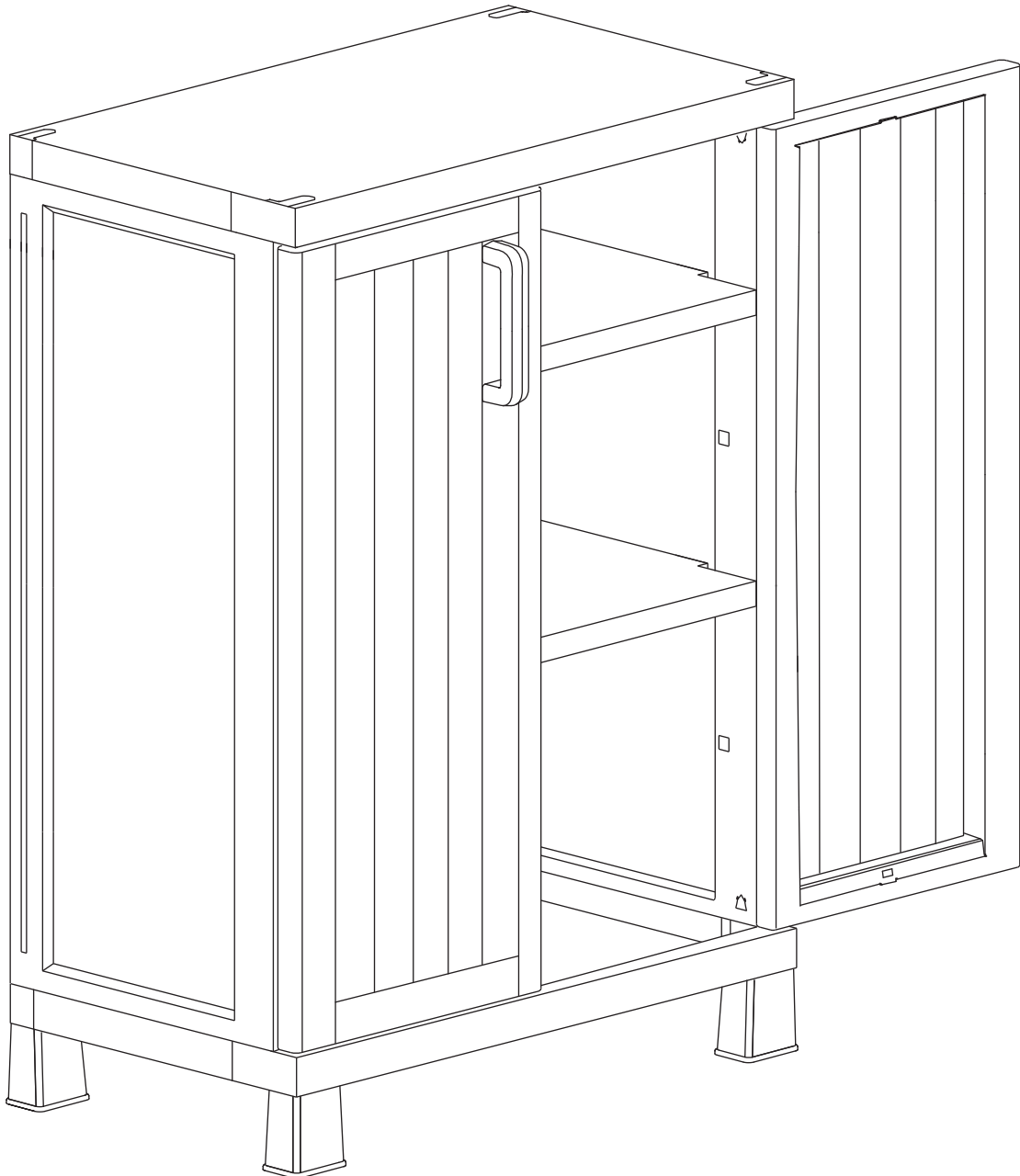


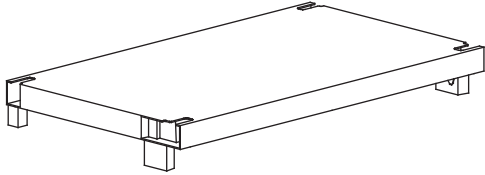
# WOOD MIDI



**Art. 266** cm 65x37x93h | in 26x15x37h

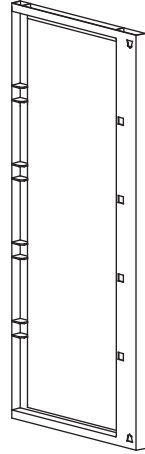


**A**



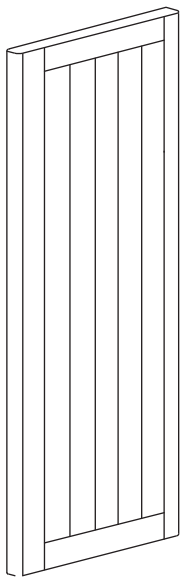
**PZ / PCS 2**

**B**



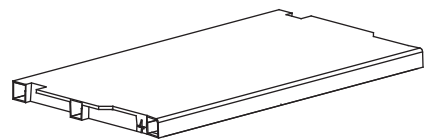
**PZ / PCS 2**

**C**



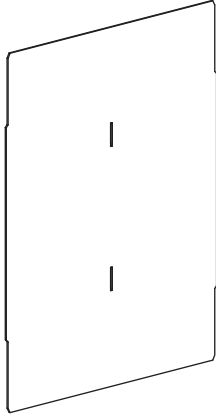
**PZ / PCS 2**

**D**



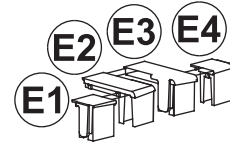
**PZ / PCS 2**

00



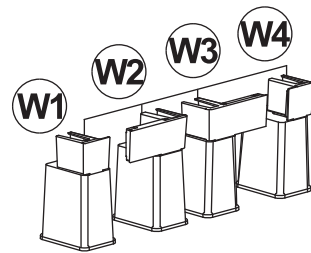
PZ / PCS 1

E



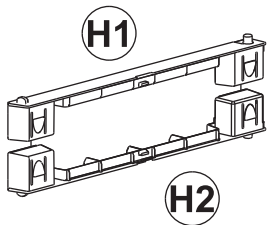
PZ / PCS 1

W



PZ / PCS 1

H



PZ / PCS 2

O



PZ / PCS 2

I



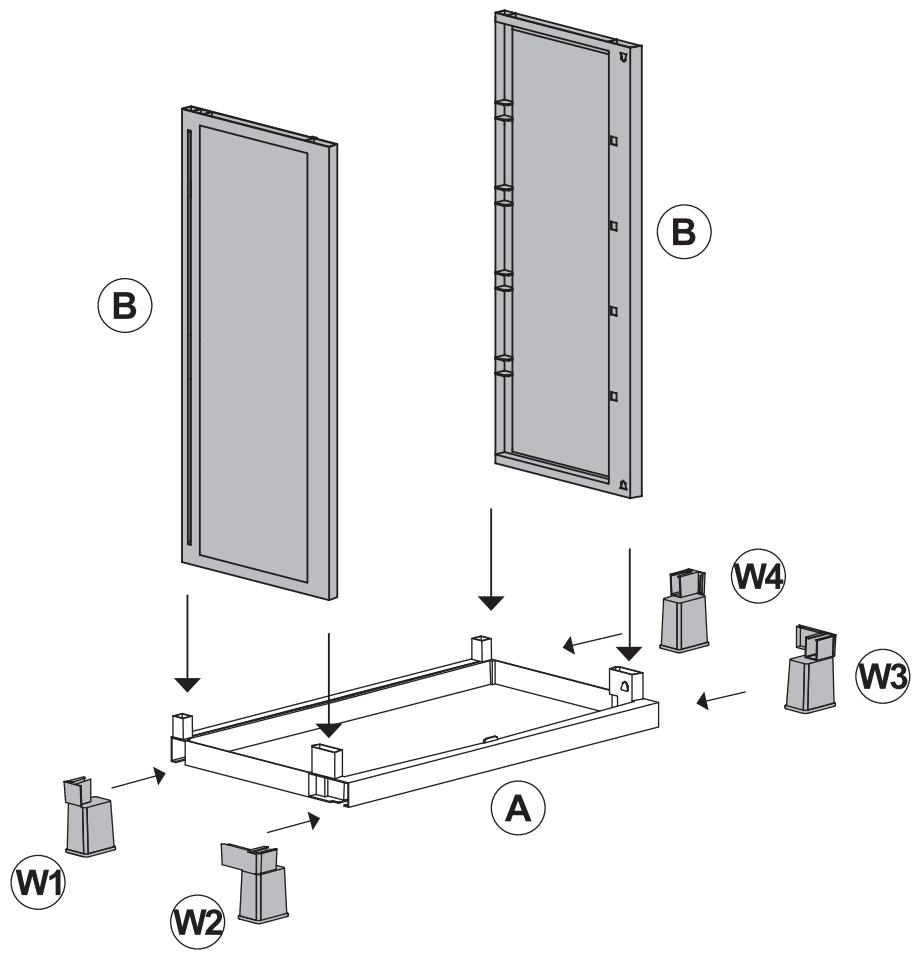
PZ / PCS 4

1

A x1

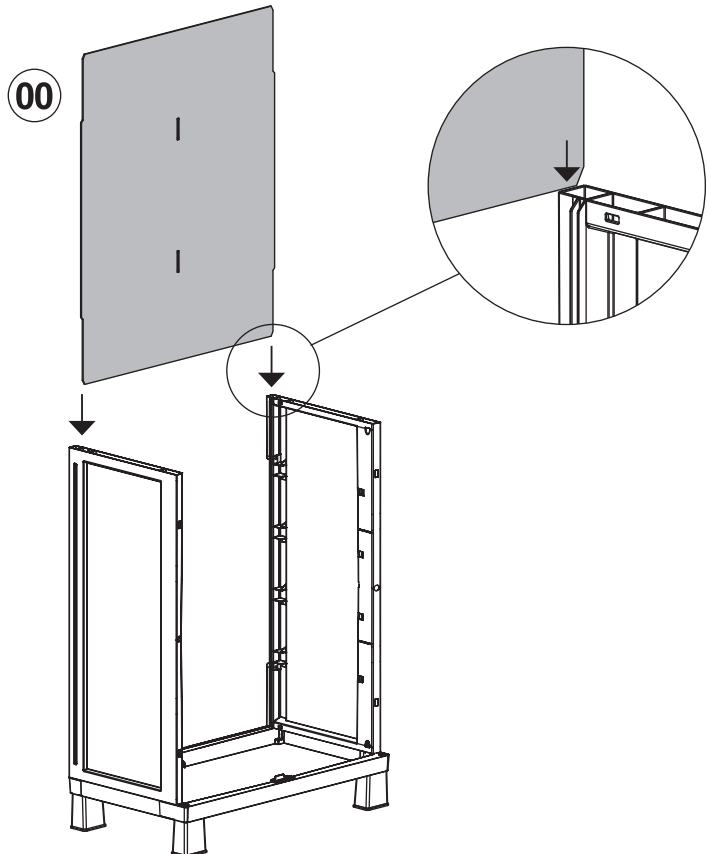
W1 W2 W3 W4 x1

B x2



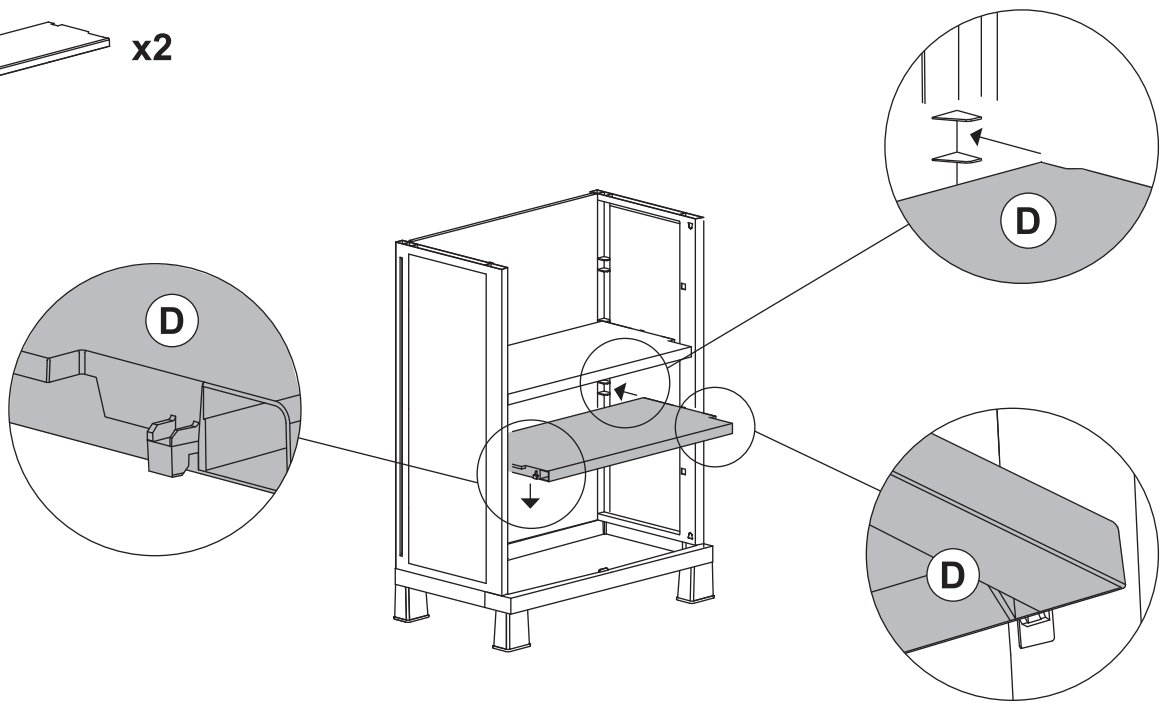
2

00 x1



3

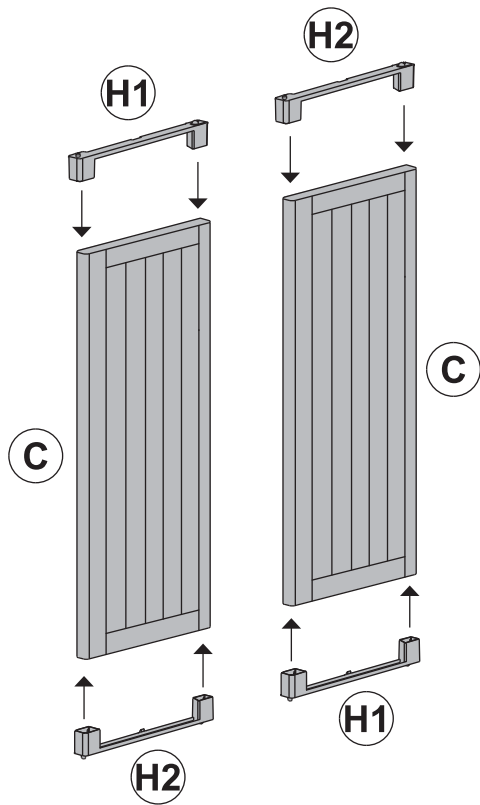
D x2



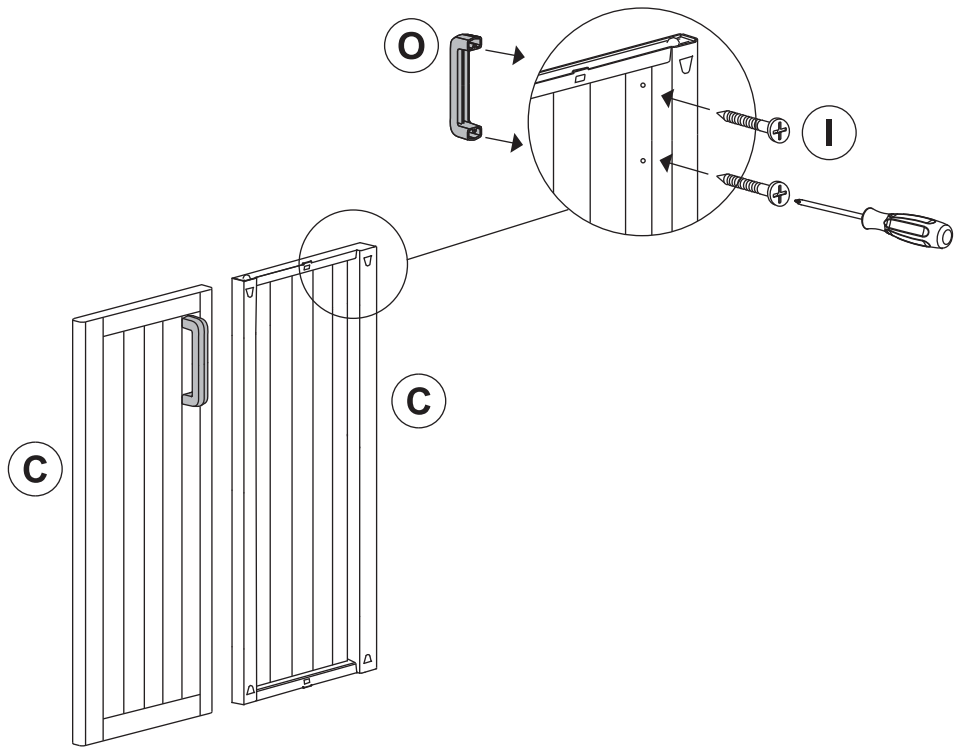
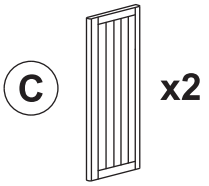
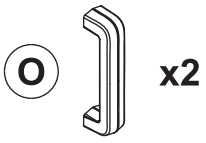
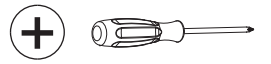
4

C x2

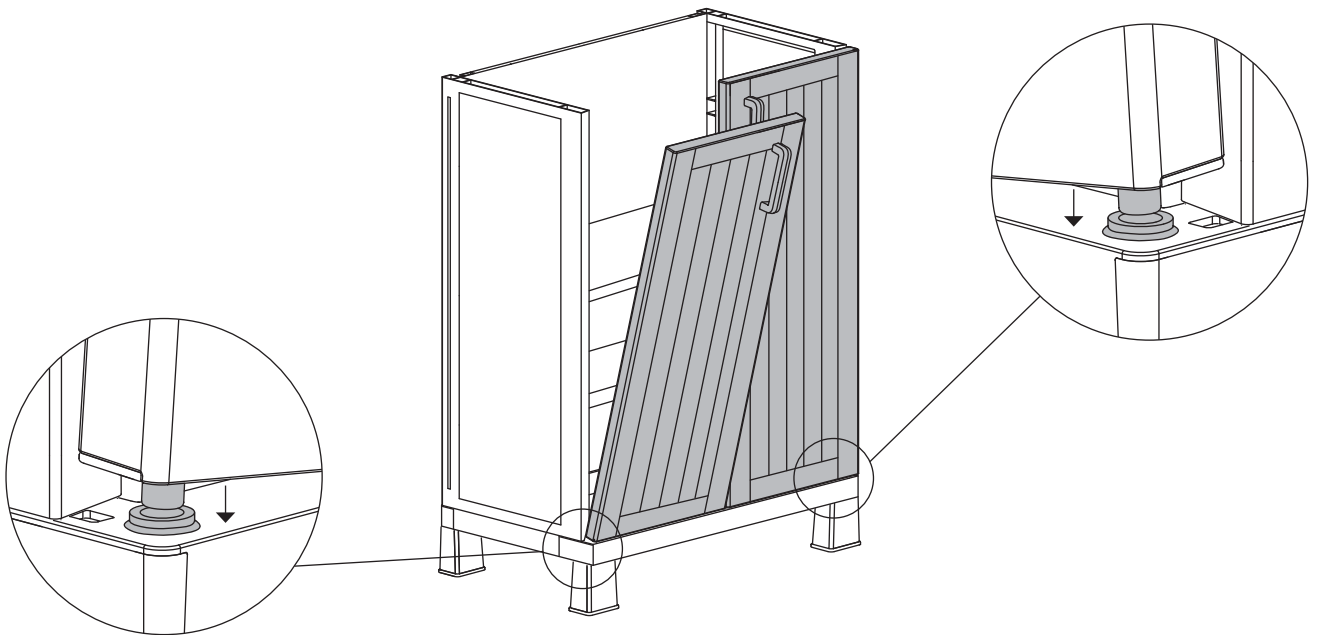
H1 x2  
H2



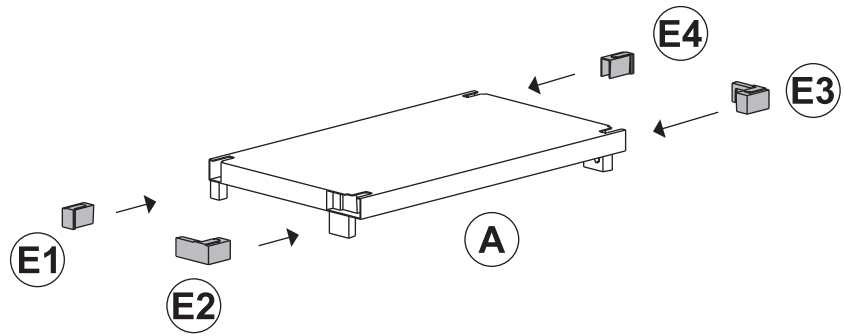
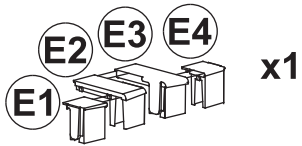
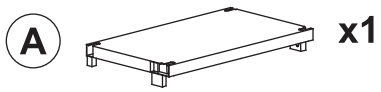
**5**



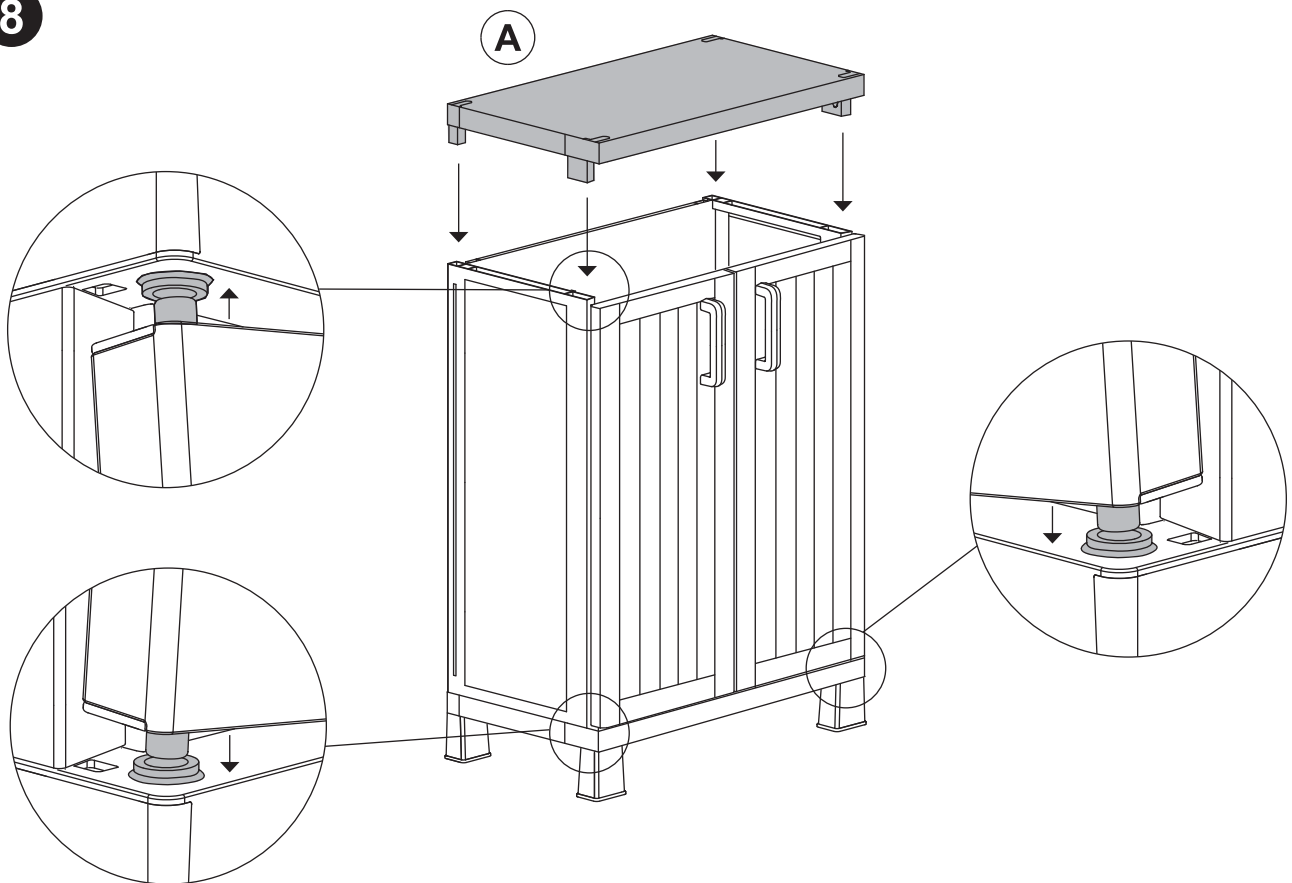
**6**



7



8





**Plastmeccanica S.p.A.**

Viale del Lavoro, 3

60030 Castelbellino (An) - ITALY

Tel. +39 0731 70766 - Fax +39 0731 703796

info@plastmeccanica.it



[www.toomax.it](http://www.toomax.it)